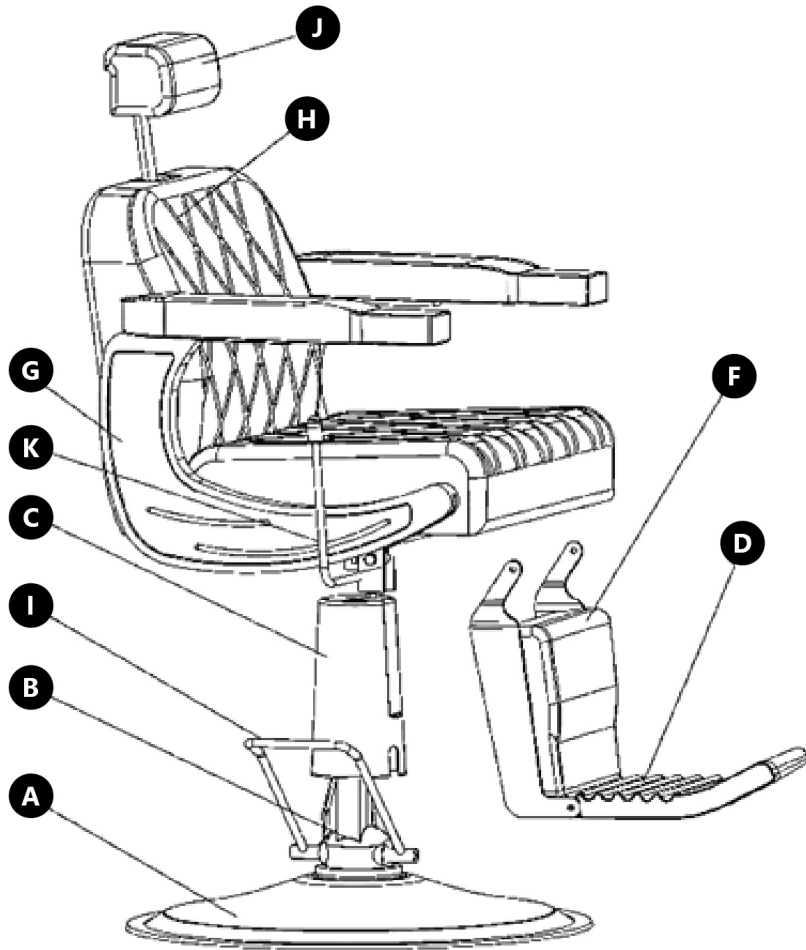
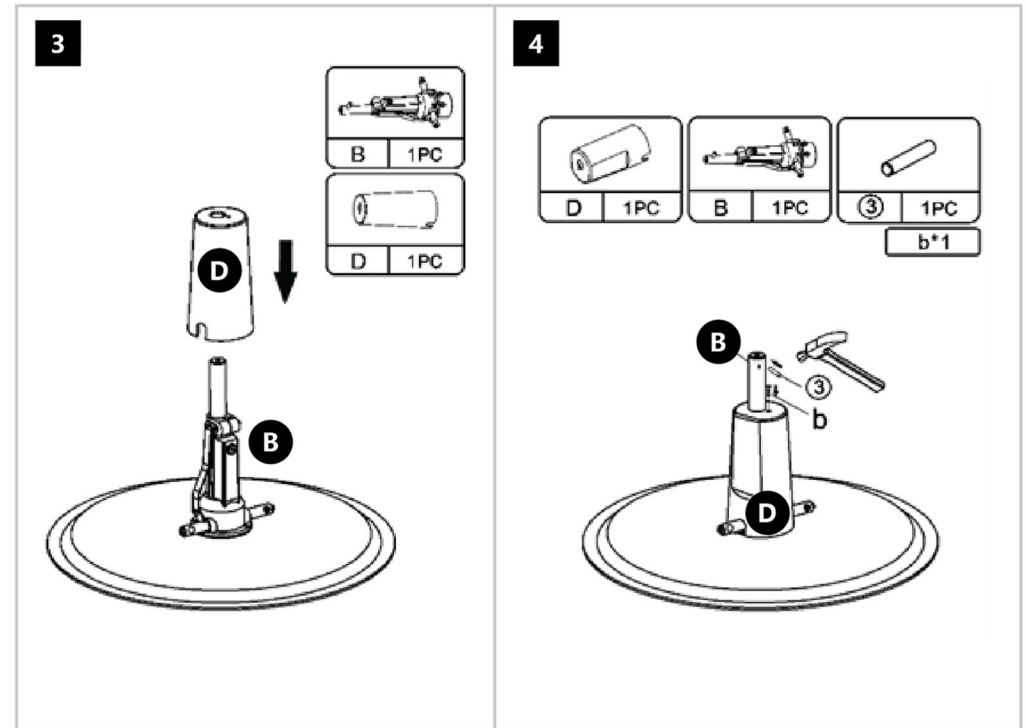
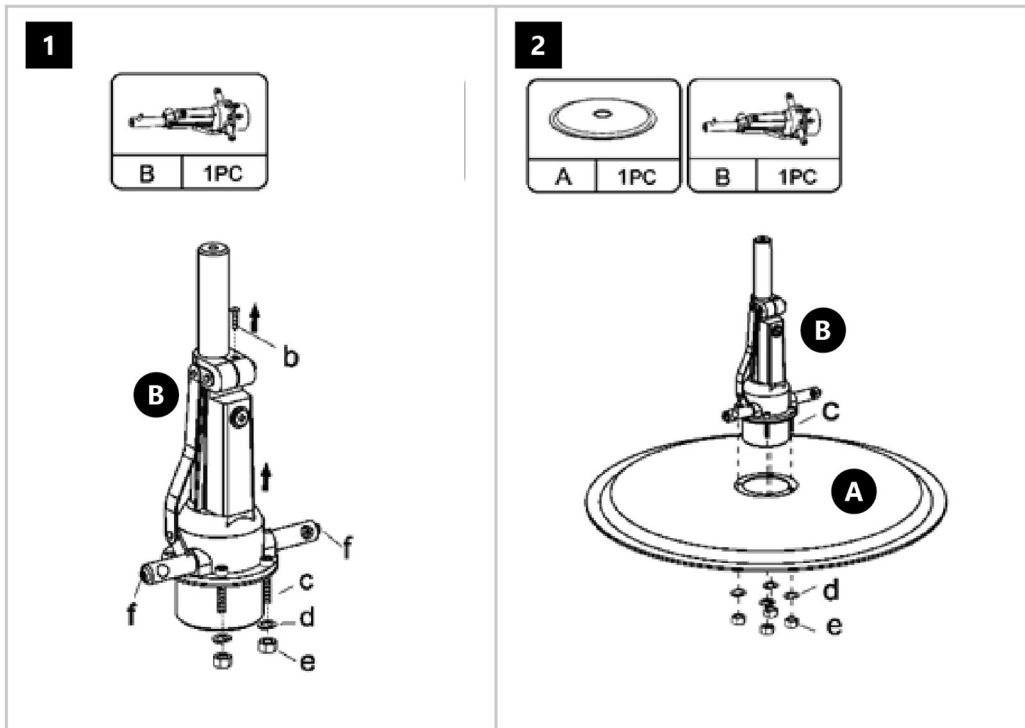


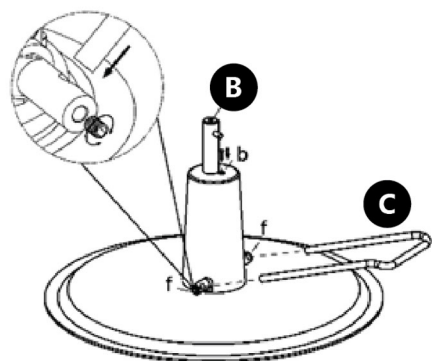
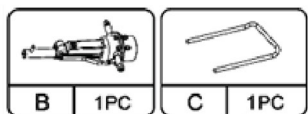


ELEGANT BARBER CHAIR INSTRUCTION MANUAL



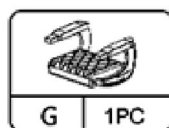
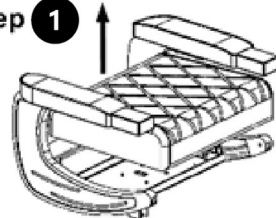


5

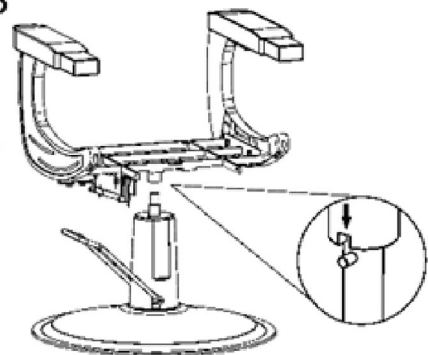


6

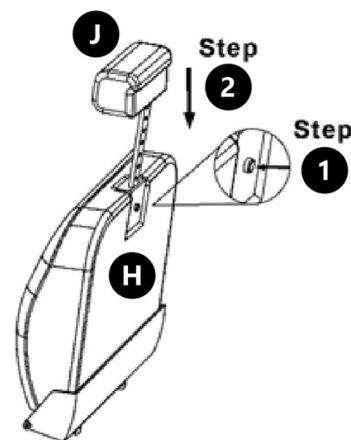
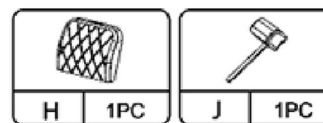
Step 1



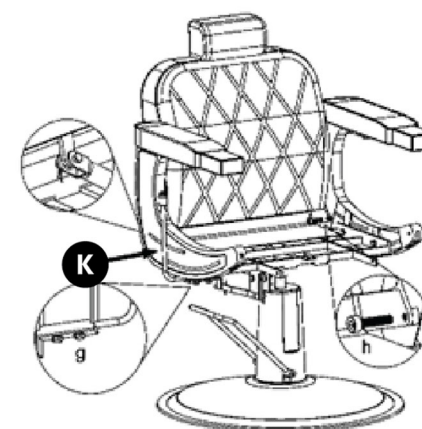
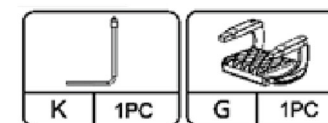
Step 2



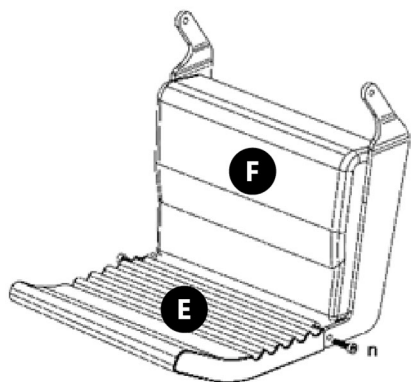
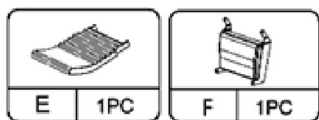
7



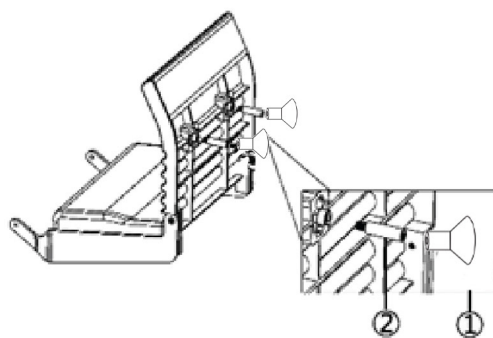
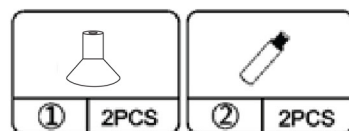
8



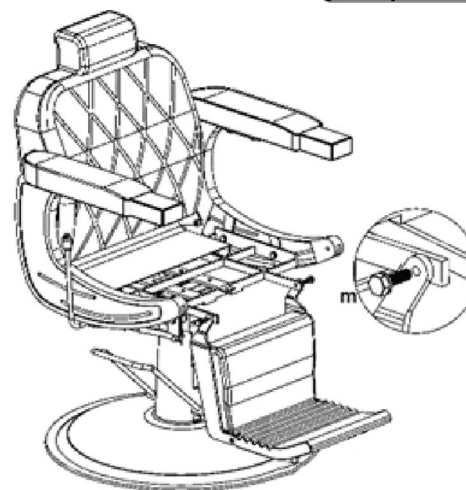
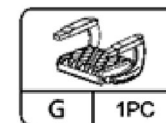
9



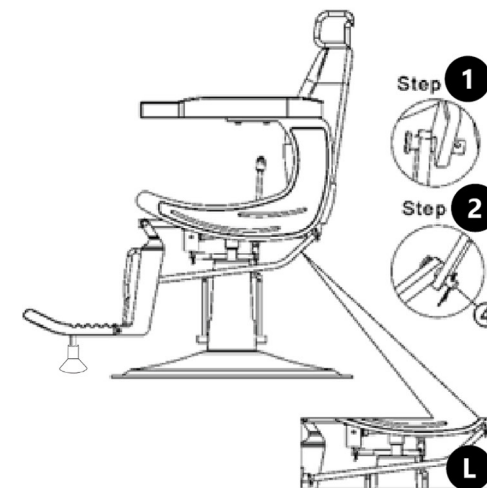
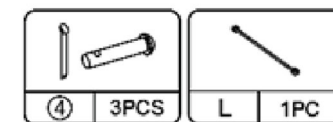
10



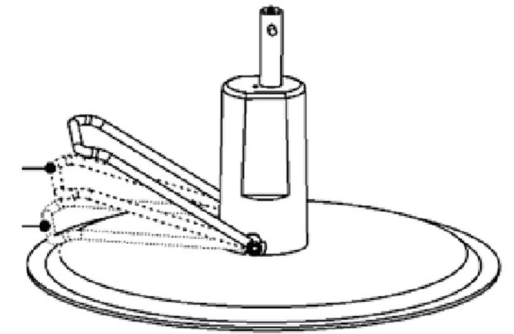
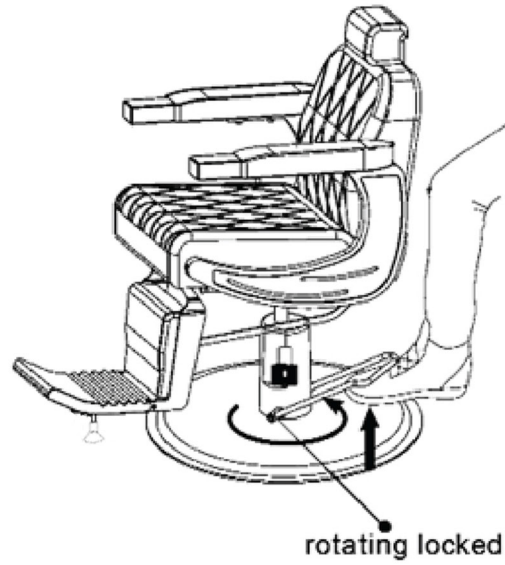
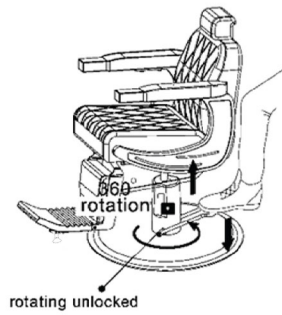
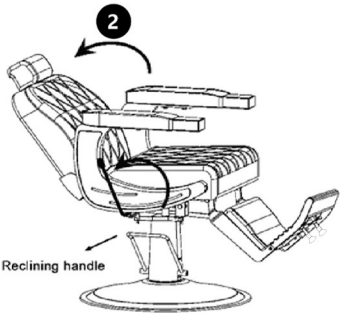
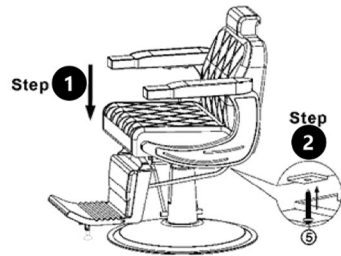
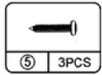
11

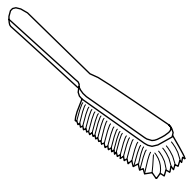


12

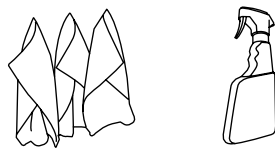


13

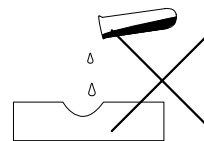




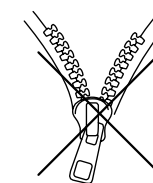
Brush away excess hair



Clean surface with damp cloth or use simple soap & water solution.



Avoid using corrosive cleaning agents such as bleaches.



Do not remove upholstery for cleaning

Warranty Coverage:

This warranty is valid for 12 months from the date of purchase. It covers technical problems that occur under normal usage conditions. Technical problems include, but are not limited to, manufacturing defects, hardware malfunctions, and software errors.

Exclusions from Warranty Coverage:

This warranty does not cover any damage or problems caused by user error. Situations not covered include, but are not limited to:

Accidental damage or misuse

Unauthorized repairs or modifications

Damage resulting from improper handling or storage

Issues caused by neglect or failure to follow the provided instructions

Damage due to external factors such as power surges, extreme environmental conditions, or natural disasters.

ESON
ESON DIRECT UK LTD.
UNIT 3G, PLYMOUTH RD,
NORTH SHIELDS NE29 7TY
Email: sales@esondirect.co.uk
Phone: +44 191 447 9589