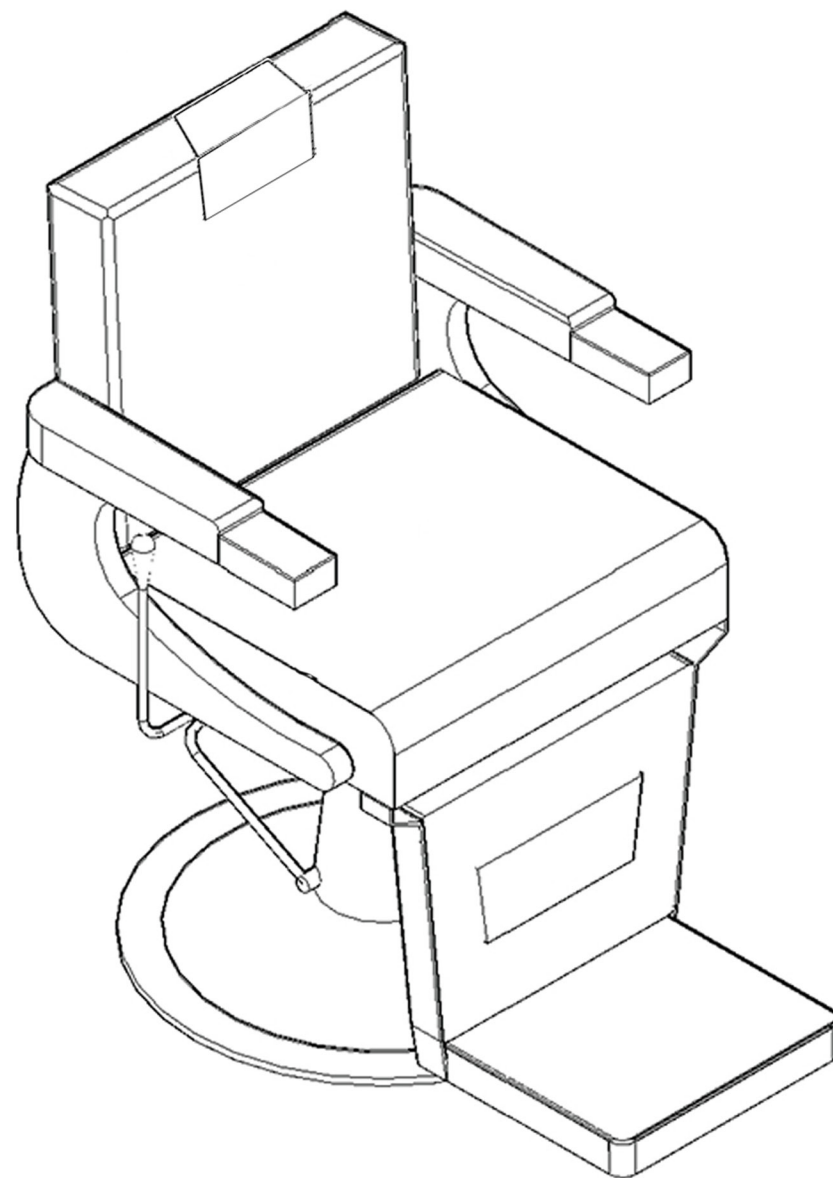
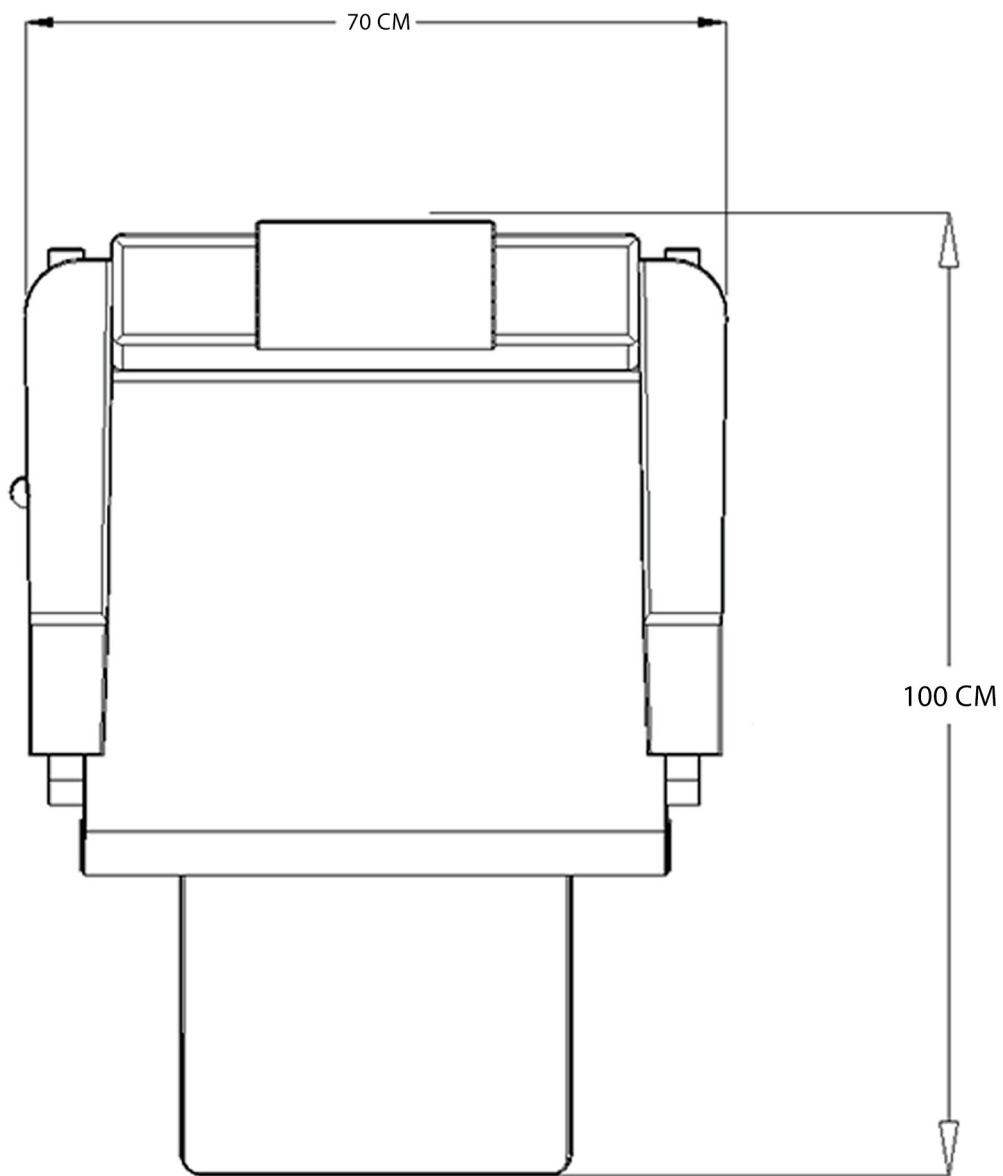
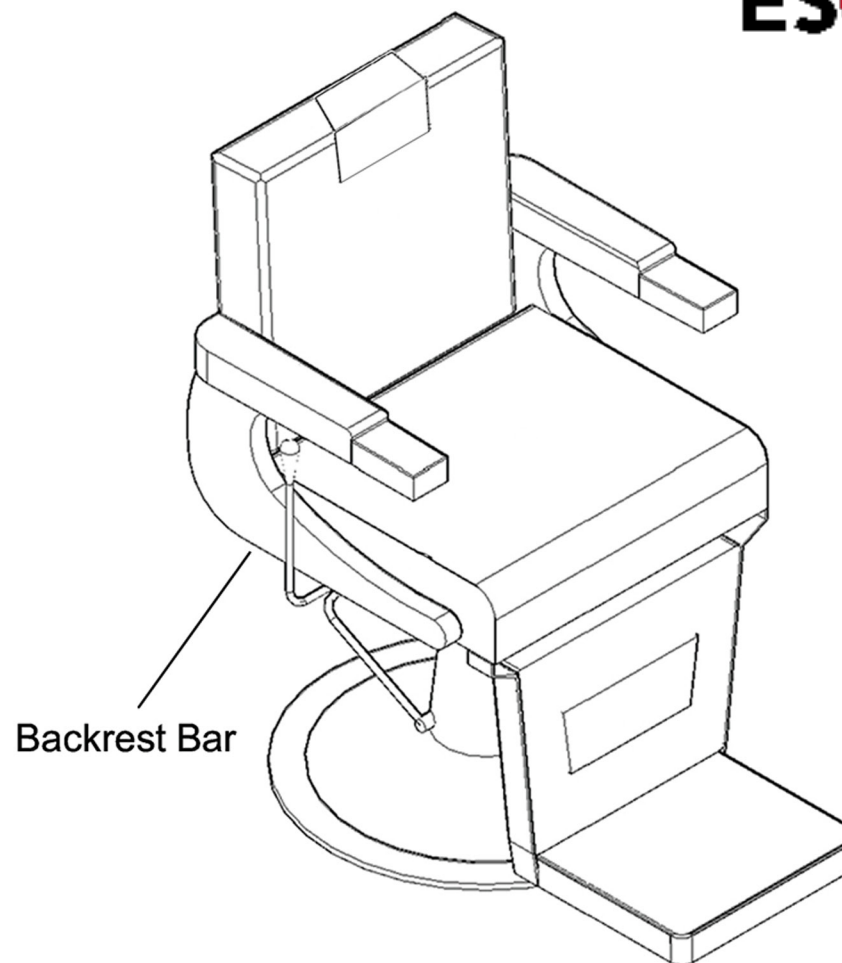
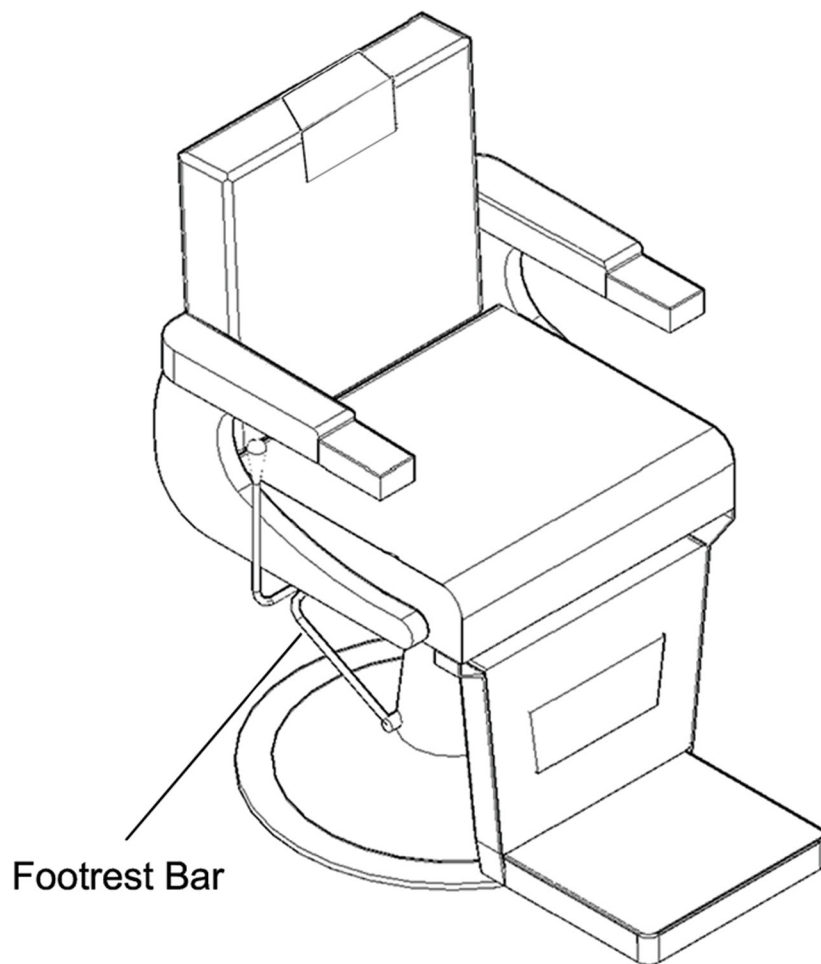




RETRO BARBER CHAIR INSTRUCTION MANUAL







Height Adjustment:

Pump footrest bar in order to raise height to desired position. Lift footrest bar to lock chair in position.

Press and hold down footrest bar to allow chair to return to lowest position.

Warning: Ensure chair is in lowest position before allowing any person to sit on or stand up from chair.

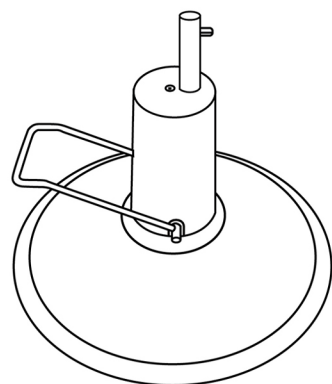
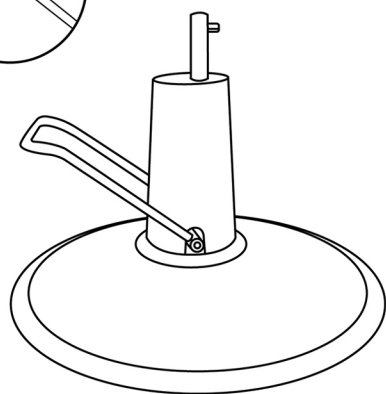
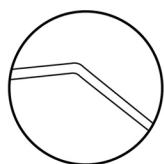
Backrest Adjustment:

Pull handle backwards in order to move backrest to reclined position.

Warning: Ensure backrest does not drop suddenly by not leaning back with full force.

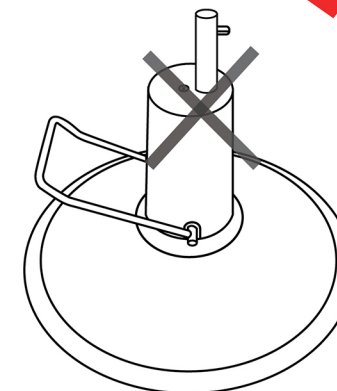
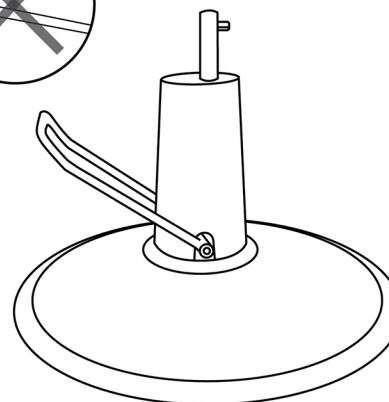
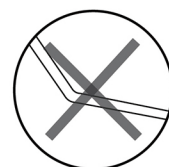
Remove weight from backrest and pull handle forwards in order for backrest to return to its upright position.

Correct Installation

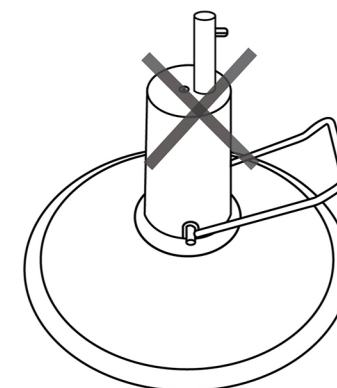
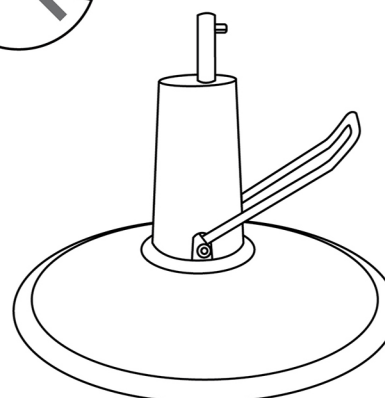
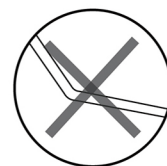
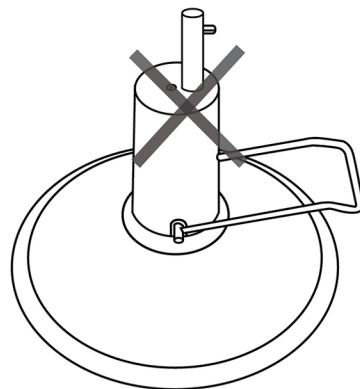
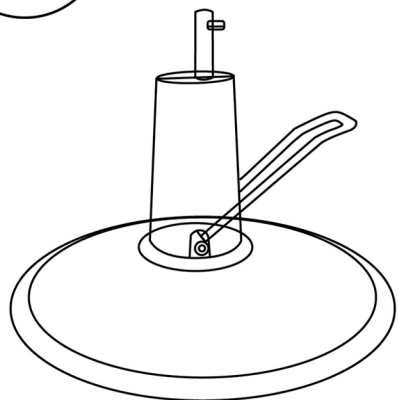
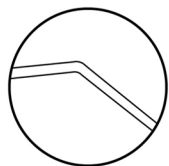


Please slip the foot lever through the pump rod.
Please note that the curved part of the foot lever should be upward.

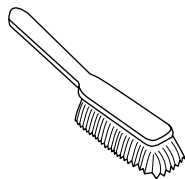
Incorrect Installation



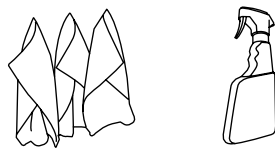
Please notice the direction of the foot lever and the insert direction when installing the foot lever.

Incorrect Installation

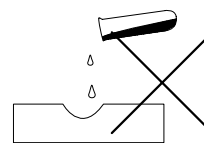
Please notice the direction of the foot lever and the insert direction when installing the foot lever.



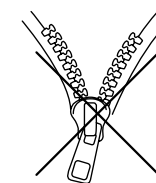
Brush away excess hair



Clean surface with damp cloth or use simple soap & water solution.



Avoid using corrosive cleaning agents such as bleaches.



Do not remove upholstery for cleaning

Warranty Coverage:

This warranty is valid for 12 months from the date of purchase. It covers technical problems that occur under normal usage conditions. Technical problems include, but are not limited to, manufacturing defects, hardware malfunctions, and software errors.

Exclusions from Warranty Coverage:

This warranty does not cover any damage or problems caused by user error. Situations not covered include, but are not limited to:

Accidental damage or misuse

Unauthorized repairs or modifications

Damage resulting from improper handling or storage

Issues caused by neglect or failure to follow the provided instructions

Damage due to external factors such as power surges, extreme environmental conditions, or natural disasters.

